



ELIS PLZEŇ a.s.



HEAT METERS IN WATER SN 30X0

SONOTHERM SN 30X0

The SONOTHERM SN 3030 and SN 3040 heat meters are intended for measurements of absolute heat quantities delivered to customer plants or otherwise consumed in closed hot-water heating systems. When used as commercial meters, they can be located either at the input hot-water piping to heated buildings or premises, or at the output of heat sources before a heat exchanger.

The SONOTHERM heat meter measures and stores information on heat quantity calculated from the water temperatures measured at the input and output piping by means of coupled resistance temperature sensors Pt 100 (Pt 500) and the heating water flow-rate measured by ultrasonic flow meter.

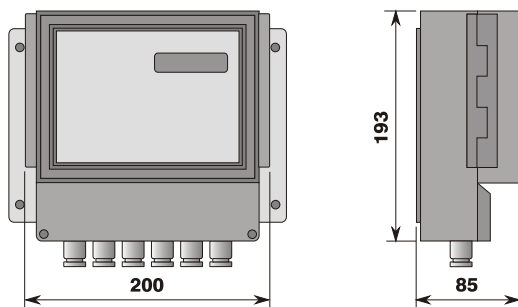
The heat meters of the SONOTHERM SN 3030 and SN 3040 series are supplied in the following configuration:

- electronic unit MTU 2.00
- coupled resistance temperature sensors Pt 100 (Pt 500)
- ultrasonic sensor UC 3.0 (SN 3040) or UC 4.0 (SN 3040)

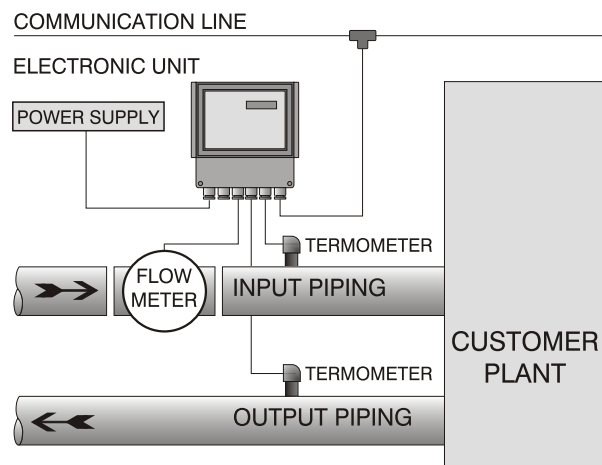
METER SPECIFICATIONS

temperature range	0 to 150°C
min. temperature difference	2°C
nominal diameter SN 3030	DN 32 to DN 300
nominal diameter SN 3040	DN 25
flow-rate range	0.05 to 2,000m ³ /h
flow meter fitting position	input or output piping
accuracy class	5
display unit	LCD, 7 + 2 characters
communication	M-Bus, IR optocoupler
power supply	230V ± 10%, 50Hz, 6VA
protection class, UC 3.0	IP67
protection class, UC 4.0	IP67
protection class, electronic unit	IP65
optional accessories	M-Bus or SIOX-bus communication pulse output (energy or volume) or pulse input (scaler) or alarm back lighted display

ELECTRONIC UNIT MTU 2.00



SN 30X0 HEAT METER APPLICATION



ELIS PLZEŇ a.s., LUČNÍ 15
PO BOX 126, 304 26 PLZEŇ
CZECH REPUBLIC

PHONE: +420 377 535 883
FAX: +420 377 535 892
e-mail: sales@elis.cz
http://www.elis.cz